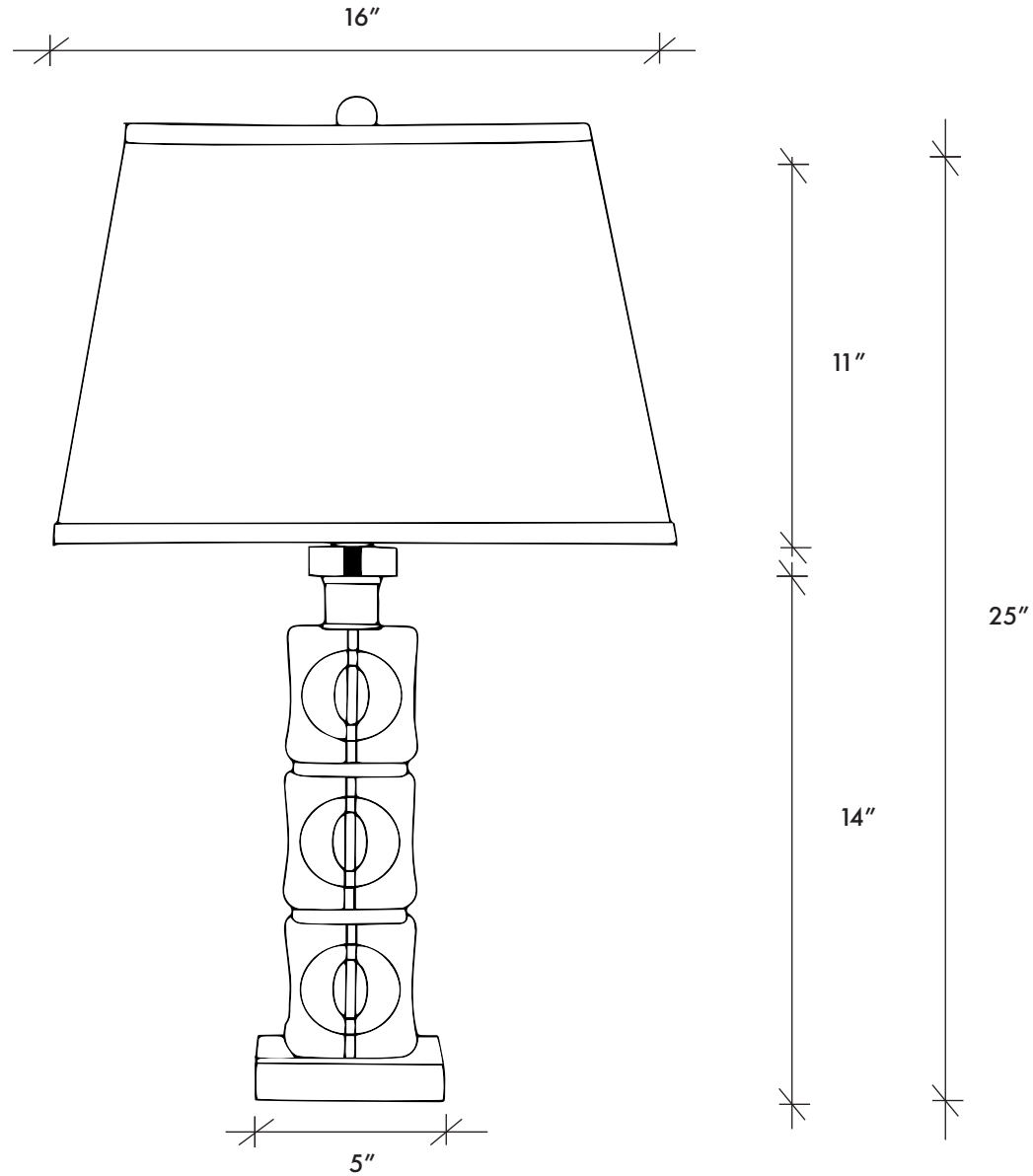




RO SHAM BEAUX



ORIANA TABLE LAMP

VISIT US AT RO-SHAM-BEAUX.COM
TO VIEW ALL OF OUR BEAD OPTIONS
AND FINISHES

DIMENSIONS

16" W x 16" D x 25" H

OVERALL HEIGHT: 25"
BASE HEIGHT: 14"
SHADE HEIGHT: 11"
SHADE WIDTH: 12" TOP, 16" BOTTOM
FOOTPRINT: 5"

FINISH/HARDWARE OPTIONS

GLASS CUBE BASE
MATTE BRASS HARDWARE
SOLID BRASS SOCKET
3 WAY SWITCH
1 TYPE A BULB, 150 WATT MAX

LEAD TIME - 2 WEEKS

RO SHAM BEAUX
3870 LEEDS AVE SUITE 112
NORTH CHARLESTON, SC 29405

*FOR PRICING AND INFORMATION
PLEASE CONTACT US BY PHONE OR EMAIL AT
ORDER@RO-SHAM-BEAUX.COM

TEL: 843.789.3478
FAX: 843.789.3751

